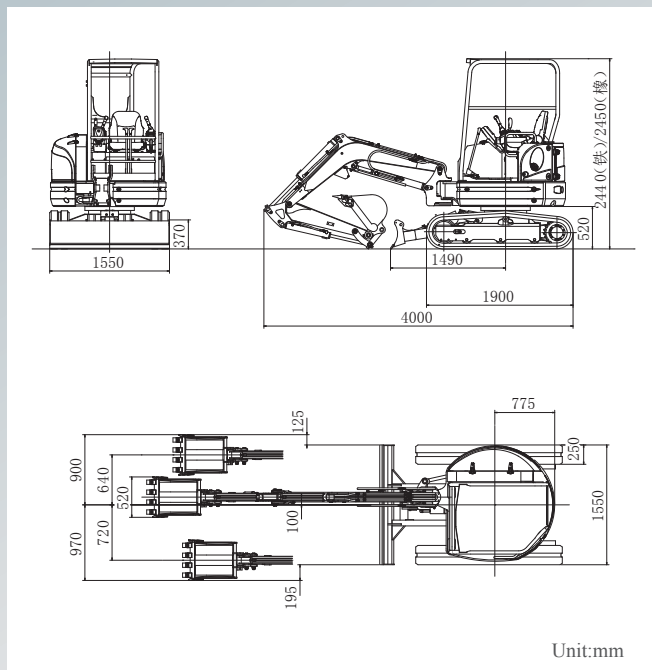
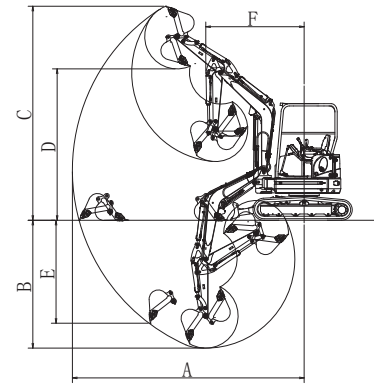


DIMENSION



WORKING RANGE



Unit:mm

Parameter	Value	
A	Maximum digging radius	4560
B	Maximum digging depth	2440
C	Maximum digging height	4220
D	Maximum dumping height	2900
E	Maximum vertical digging depth	1840
F	Minimum swing radius	2030
	Right swing	1750

SPECIFICATION

Performance	Parameter
Model	HD25V5
Operating weight (Rubber/Steel)	2750kg/2880kg
STD. Bucket capacity	0.09m ³
STD. Bucket width	520mm
Engine	
Maker	KUBOTA
Model	D1305-E4B
Rated output	24.8PS(18.2kW)/2400min ⁻¹
Working Performance	
Swing speed	9.0 rpm
Travel speed	2.5/4.4 km/h
Gradeability	58%(30°)
Ground pressure	33kPa
Max. digging force	21kN

Performance	Parameter
Boom swing angle (L/R)	50°/80°
Hydraulic System	
Pressure	21.6MPa/18.1MPa
Flow	28.8L/min×2+19.2L/min
Oil Capacity	
Fuel tank capacity	42L
Hydraulic oil capacity	33L
Dozer blade	
Size	1550×370mm
Height	430mm/345mm

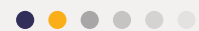
• This booklet is only for promotion, the pictures and contents may differ from the actual objects, and the actual objects shall prevail. The contents and specifications will be subject to change without prior notice.

KATO SCE

KATOSCE (XIAMEN) CONSTRUCTION MACHINERY CO., LTD

Address: No.39 Huanzhu Road, North Industrial Area, Jimei District, Xiamen

Website: www.katosce.com



KATO

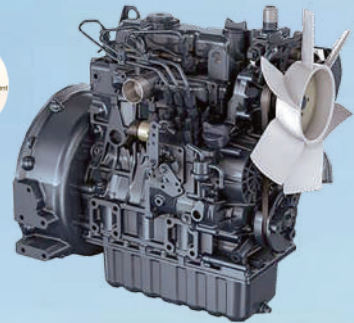
V FIVE HD25



Powerful Strong Reliable

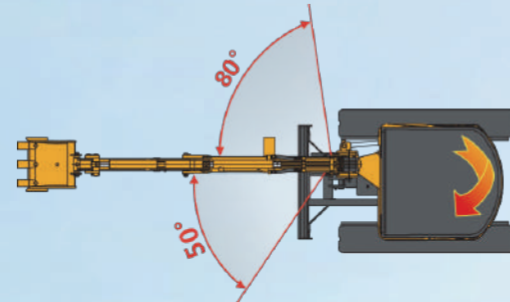
Environmental-friendly engine

The engine features low fuel consumption, low noise and strong power.



Environmental-friendly engine

Boom swing



Comfortability



Comfortable operating space

Ergonomic wide comfortable operating space has been designed to fit operator.



Working light under the boom

The light installed under the boom is protected from damage.



Travel speed select switch

Travel speed 1 (2.5km/h) and 2 (4.4km/h) are automatically changed according to the traveling motor load. Can set only speed 1 by press the switch on the dozer lever.

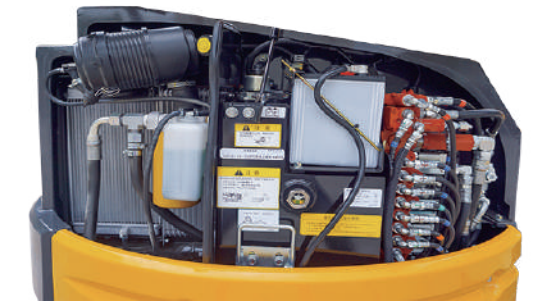
Durability

Fully versatile easy skimming work

The closer distance between bucket teeth and dozer blade allows it to skim the ground easier.



Maintenance



Wide openable engine cover

The fully openable engine cover provides great access to various components. Daily maintenance such as air filter cleaning, engine oil replacement become easier.



12V electric supply port

Equipped with an electric supply port. (12V 10A)



Boom swing

Zero tail

X-shaped under carriage

It has enhanced the strength against twist. Mud drainage performance has been increased and cleaning is now carried out with ease.

