

## 云智能叉车管理系统 (FIMS)

Cloud Intelligence Forklift Management System

云智能叉车管理系统是应用先进的物联网和互联网技术, 结合人工叉车实现车辆数据采集、车辆报警、车辆远程控制 和诊断、车辆调度、物流跟踪等功能, 帮助用户进行车辆管理, 智能调度和智能物流管控, 提升企业设备管理和物流管理 水平, 叉车云智能终端可无缝对接云智能叉车管理系统。

Cloud intelligent forklift management system is an advanced application of Internet of Things and Internet technology, achieve vehicle data collection, vehicle alarm, vehicle remote control and diagnosis, vehicle scheduling, logistics tracking and other functions, which help users to carry out vehicle management, intelligent scheduling and logistics control, improve enterprise equipment management and logistics management level, forklift cloud intelligent terminal can seamlessly dock cloud intelligence forklift management system.



扫描二维码 关注吉鑫祥

服务热线: 400-8802020

好品质 新感觉

www.goodsenseforklift.com



ZHEJIANG GOODSENSE FORKLIFT CO.,LTD

Address: Haichang Road 1188#, Binhai Industrial Zone Taizhou, Zhejiang, China

Tel: 0086-576-82698897 Fax: 0086-576-82707339

E-mail: sales@goodsenseforklift.com

浙江吉鑫祥叉车制造有限公司

地址: 浙江省台州经济开发区滨海工业区内海昌路1188号

电话: 0576-82698896 传真: 0576-82698899

邮箱: market@goodsenseforklift.com

本公司保留更改产品设计和规格的权利, 恕不另行通知。  
Our products are subject to improvements and changes without notice.



安全舒适 · 智能高效  
SAFETY COMFORT HIGH EFFICIENT



GOODSENSE



2-3.5t S系列内燃平衡重式叉车  
S Series Internal Combustion Balance Forklift

浙江吉鑫祥叉车制造有限公司  
ZHEJIANG GOODSENSE FORKLIFT CO.,LTD

S系列内燃平衡重式叉车 2-3.5t  
S Series Internal Combustion Balance Forklift

安全舒适 · 智能高效  
SAFETY COMFORT HIGH EFFICIENT

### 可靠的起重系统 Reliable Lifting System

宽视角门架设计, 保证了司机在操作时拥有绝佳的视野, 使得装卸 作业更加安全快捷。

Wide view mast design, ensure the driver has an excellent view, which makes loading and unloading operations more secure and efficient.

- > 高强度合金槽钢 (20MnSiv), 对比普通门架槽钢性能提升20%;
- > 三节全自由门架管路背置式设计, 拥有和两节门架一样的视野;
- > 主侧滚轮独立设计。

### 悬浮式驾驶室 Suspended Cabin



驾驶室通过4个集成液 压减震垫悬浮于车体 之上, 驾驶室振动降 低30%以上。

优化设计的进排气系统, 低位进气窗及封闭式脚部底板, 使得驾驶员 耳边噪音降低3dB。

Optimized design of the intake and exhaust system, low intake window and closed foot plate, which reduce the driver's ear noise by 3dB.

- > 驾驶室加高设计, 司机头部空间加高60mm;

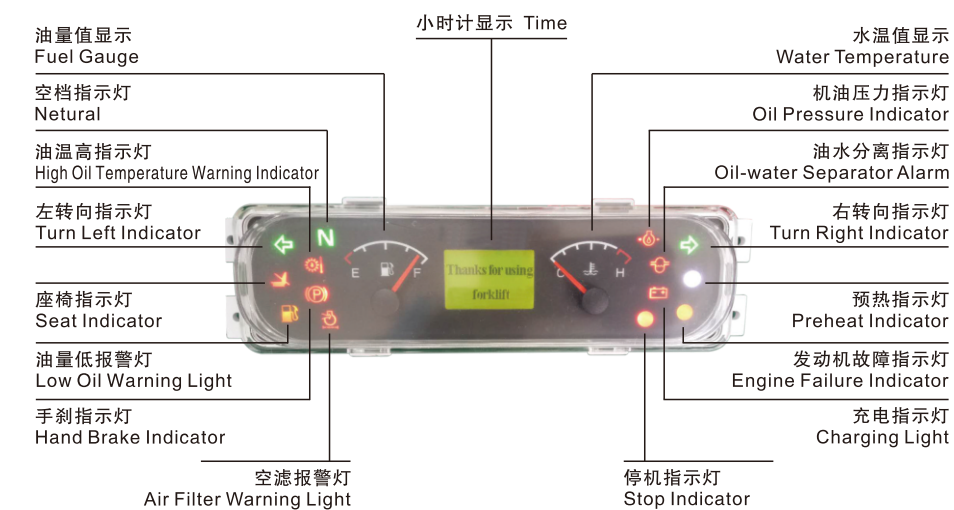
### 舒适的驾驶空间 Comfortable Driving Space



操作空间加大20%, 优越的人机工程设计, 使操作更舒适、 便捷、高效。  
Large operating space, superior ergonomic design, comfortable operation, convenient and efficient.

- > 下沉式倾斜油缸, 制动动悬挂式结构布局, 脚底板平整化设计, 为 操作者营造出开阔的驾乘空间;
- > 一体成型的防滑上车踏板, 上车便利且长久耐用;
- > 新型小直径方向盘, 喇叭按钮多点式设计, 一触即响;
- > 新型方向盘调节机构, 操作省力。

### 智能化的液晶仪表 Intelligent LCD Instrument



### 更开阔的倒车视野 More open reversing view



- 优化平衡重设计, 增大驾驶员后方视野, 在倒车确定 距离时可确保最佳的可见性。
- The forklift equied with exhaust flame arrestor and mars eliminator system, which ensures the safety operation in dangerous environment.

### 多样性配置选择 Varsity Kinds Of Options



全新的空气滤芯器, 增加了安全滤芯, 发动机进气更加清洁、安全。

吉鑫祥叉车为用户提供多种多样的动力选择;  
GOODSENSE provide different engines for options.

- > 发动机可配置国内外多种知名发动机品牌, 如新柴、NISSAN、PSI、康明斯、三菱等;
- > 变速箱除常规的液力变速箱外, 可提供日本原装进口冈村悬浮式变速箱;
- > 可提供柴油、汽油、LPG、LNG、CNG等多种燃料动力。



2-3.5t内燃平衡重式叉车整机参数 Diesel Forklift Technical Specification

Technical specification table for Diesel Forklift (2-3.5t), detailing characteristics, performance, and engine models.

可选配发动机型号及主要技术参数 Engine Model and Main Specification for Option

Table listing optional engine models and their technical specifications, including power, torque, and cylinder configurations.

2-3.5t 宽视野基本型门架 Wide View Mast

Table showing mast specifications for the Wide View Mast configuration, including lift heights and load capacities.

注: (1) \*表示前轮为双胎时的承载力 (2) 2-2.5t最大起升高度 (不带挡货架): -410mm 3-3.5t最大起升高度 (不带挡货架): -460mm

2-3.5t 两级全自由门架 Wide View Full Free 2-Stage Mast

Table showing mast specifications for the Wide View Full Free 2-Stage Mast configuration.

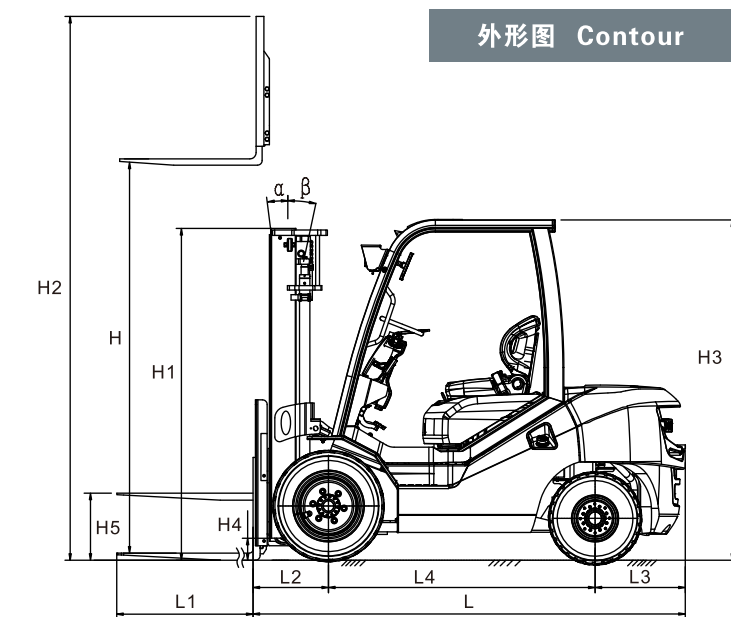
注: (1) \*表示前轮为双胎时的承载力 (2) 2-2.5t最大起升高度 (不带挡货架): -415mm 3-3.5t最大起升高度 (不带挡货架): -460mm (3) 2-2.5t自由起升高度 (不带挡货架): +420mm 3-3.5t自由起升高度 (不带挡货架): +400mm

2-3.5t 三级全自由门架 Wide View Full Free 3-Stage Mast

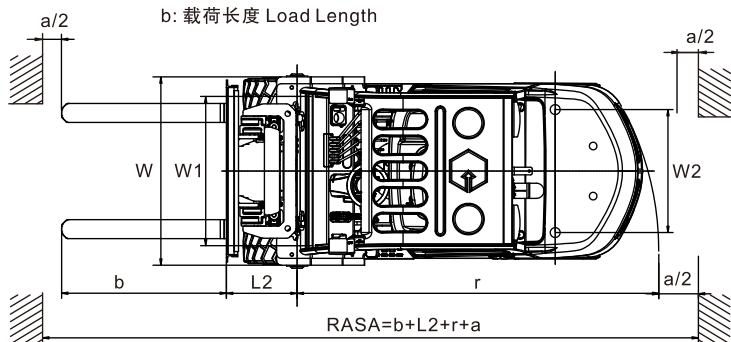
Table showing mast specifications for the Wide View Full Free 3-Stage Mast configuration.

注: (1) \*表示前轮为双胎时的承载力 (2) 2-2.5t最大起升高度 (不带挡货架): -415mm 3-3.5t最大起升高度 (不带挡货架): -400mm (3) 2-2.5t自由起升高度 (不带挡货架): +415mm 3-3.5t自由起升高度 (不带挡货架): +400mm

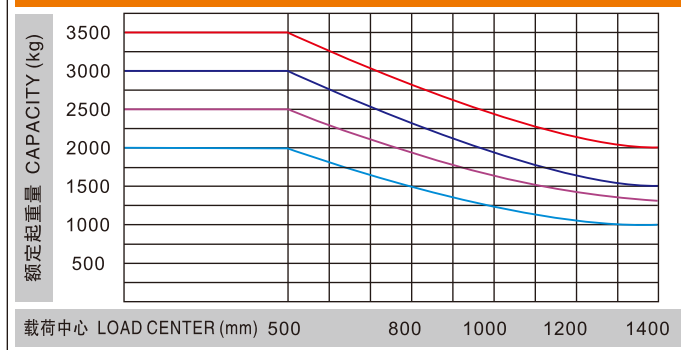
外形图 Contour



RASA: 直角堆垛通道宽度 Right-Angle Stack Aisle a: 间隙 Safety Clearance b: 载荷长度 Load Length



载重曲线图 Load Curve



注: 竖轴表示承载量, 横轴表示载荷中心。载荷中心是从货叉正面算起, 标准载荷的基点是指负荷边长为1000毫米的立方体中心位置。当门架前倾、使用非标准货叉或装载超过正常宽度的载荷时, 将会使承载量减少。通过负荷曲线图, 能及时地了解各种载荷中心时的承载能力。

Note: Capacities shown are computed with upright in vertical position. Based on a 1000 mm cube load configuration with the center of gravity at the true center of the cube and standard forks. Truck capacities with upright in forward tilt position will be less. Long forks and unusually wide or loads may also reduce capacity.

标准配置 Standard Configuration

Table listing standard configuration accessories such as hydraulic steering, safety switches, and tires.

选用配置 Alternative Equipment

Table listing alternative equipment options like heated seats, air conditioning, and safety features.

选用属具 Alternative Attachment

Table listing alternative attachments such as pallet forks, pallet clamps, and buckets.

门架特殊装置 Special Options for Mast

Table listing special mast options like two-stage, three-stage, and wide view masts.